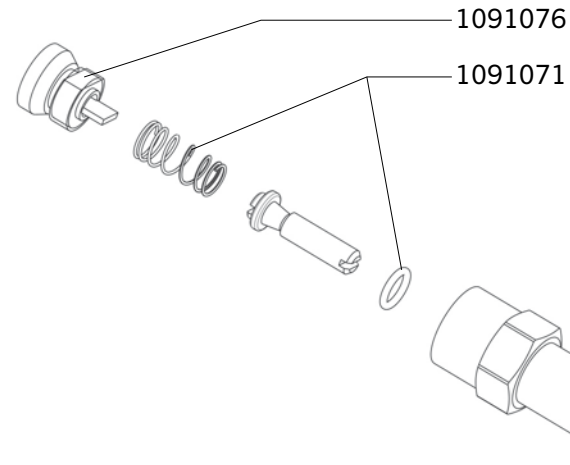


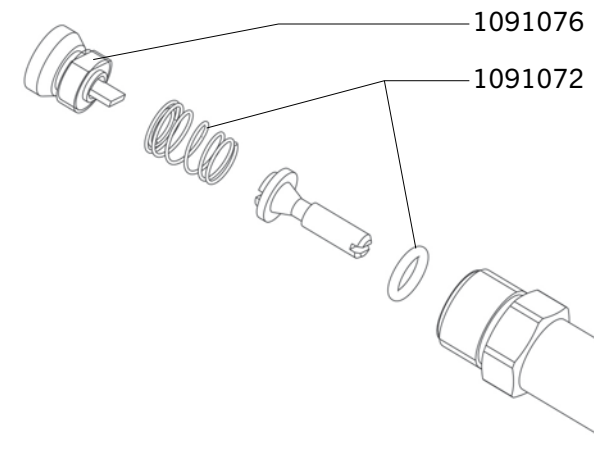
DIRECTO PREMIUM - POUSTUBE

Ref. 1816 - 1817 - 1818 - 1826 - 1828

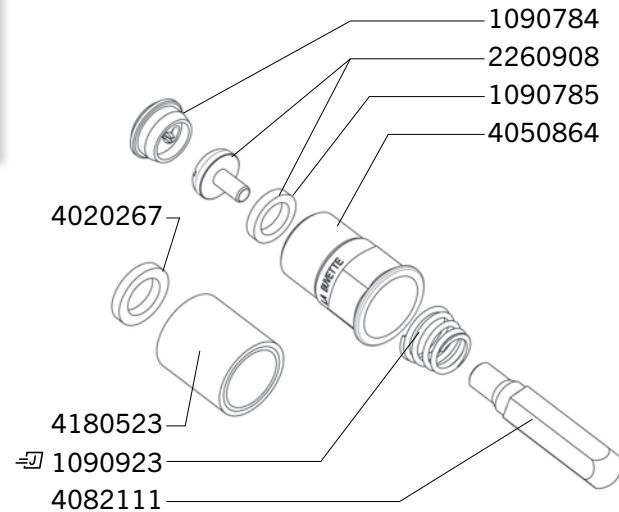
DIRECTO 50 PREMIUM



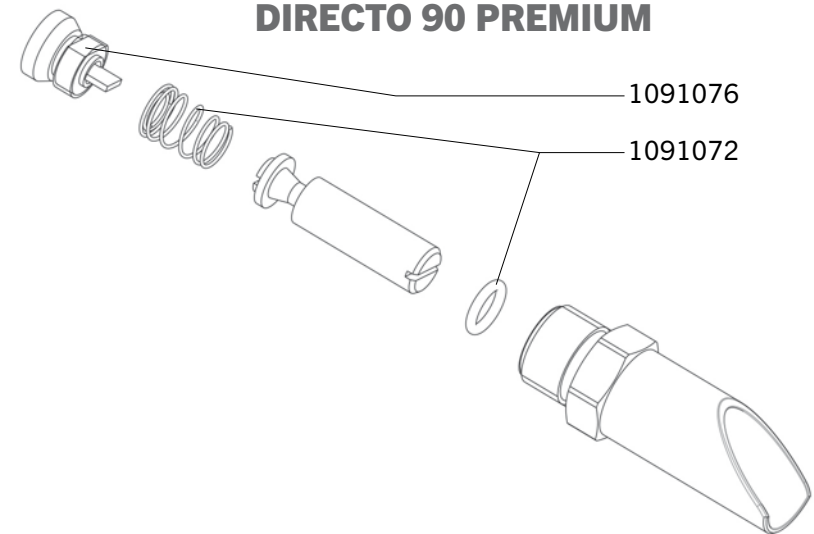
DIRECTO 70 PREMIUM



POUSTUBE M/F



DIRECTO 90 PREMIUM



Ship.	Code	Designation
		DIRECTO PREMIUM
J+5	1091071	BAG WITH 5 JOINTS + SPRINGS DIRECTO 50 PREMIUM
J+5	1091072	BAG WITH 5 JOINTS + SPRINGS DIRECTO 70 - 90 PREMIUM
J+5	1091076	BAG WITH 5 JETS DIRECTO 50/70/90
		POUSTUBE MALE & FEMALE
J+5	1090784	5 X JETS POUSTUBE
J+5	1090785	10 X RUBBERS
J+5	1090923	5 SPRING F30/60/FORSTAL BLISTER PACK
J+5	2260908	SCREW WITH SEAT FOR POUSTUBE
J+5	4020267	RUBBER SEAL 19.4X12X3
J+5	4050864	SS.BODY
J+5	4082111	ACTIVATOR PIN
J+5	4180523	SS CONNECTION FF 1/2 GZ

Shipping time in working days (running out of stock excepted), spare parts tagged with a (J) are dispatched the same day if order received before noon and made of parts tagged with (J) exclusively.

Digital version up to date:

